

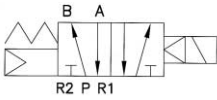
SV-400 Series

5 Port Pilot Typ / Elastic Seal

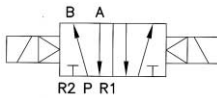
Sub-base Mounting Type

5 Port / 2 Position

SV-410 (Portsize : PT1/2)

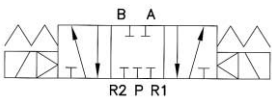


SV-420 (Portsize : PT1/2)

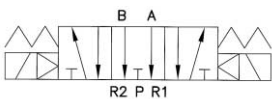


5 Port / 3 Position

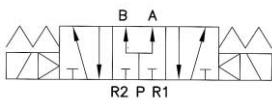
SV-430 (Closed Center)



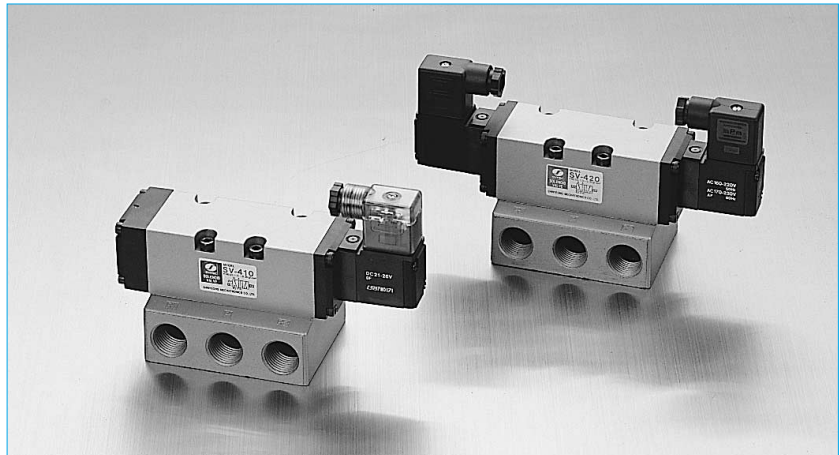
SV-440 (Exhaust Center)



SV-450 (Pressure Center)



- Compact size and large flow capacity-Cv 4.44
Effective area-80mm²
- Low power consumption
-1.8W(DC)
- Various electrical entries



Standard Specifications

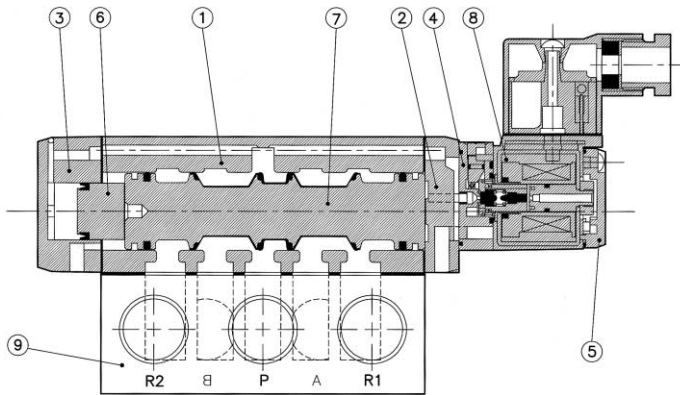
| Model no. | SV-410 | SV-420 | SV-430 | SV-440 | SV-450 |
|--------------------------------------|---------------------------------------|----------|--------------------------|-------------|--------|
| Media | Air or inert gases | | | | |
| Pressure range(kgf/cm ²) | 1.5~9.9 | 1~9.9 | | 1.5~9.9 | |
| Effective area mm ² (Cv) | 80(4.44) | | | 70(3.89) | |
| Ambient and media temp. | Max. 50 °C | | | | |
| Response time(5kgf/cm ²) | Below 40ms | | | Below 60ms | |
| Max. cycles/second | 5c/s | | | 3c/s | |
| Lubrication | Not required | | | | |
| Manual override operation | Non-locking push/Slotted locking type | | | | |
| Shock/Vibration resistance | 30G/5G(8.3~2000HZ) | | | | |
| Protective structure | Dust-proof | | | | |
| Rated voltage of coil | AC 50/60HZ 100V, 220V | | | DC 12V, 24V | |
| Allowable voltage tolerance | -15%~+10% of rated voltage | | | | |
| Coil insulation | Class B or equivalent (130 °C) | | | | |
| Apparent power | AC | Starting | 5.6VA(50HZ), 5.0VA(60HZ) | | |
| | | Holding | 4.5VA(50HZ), 3.8VA(60HZ) | | |
| Power consumption | DC | 1.8W | | | |
| Weight(kgf) | 0.83 | 0.87 | 0.88 | 0.88 | 0.88 |
| Surge suppressor | AC, DC : Varistor | | | | |
| Indicator lamp | LED | | | | |

How to Order

SV - 4 1 0 - 2 L

| Port size (PT 1/2) | Symbol | Voltage | Electrical entry |
|--------------------|-----------------|-----------|--|
| 1 | Single solenoid | 1 AC 100V | L Lead wire |
| 2 | Double solenoid | 2 AC 220V | D DIN terminal |
| 3 | Closed center | 3 DC 12V | DL DIN terminal with lamp |
| 4 | Exhaust center | 4 DC 24V | DS DIN terminal with lamp & surge suppressor |
| 5 | Pressure center | | |

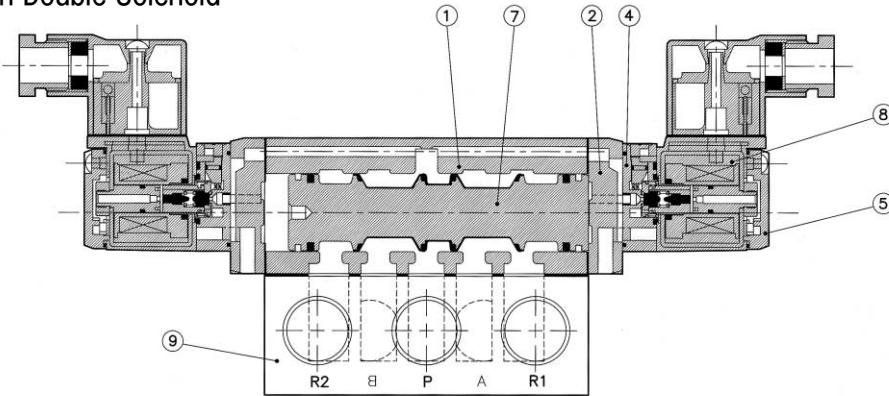
2 Position Single Solenoid



Main Parts

| No. | Description | Material |
|-----|-------------|--------------------|
| ① | Body | ADC-12 |
| ② | Adapter | ADC-12 |
| ③ | End Cover | ADC-12 |
| ④ | Pilot Body | Polyacetal |
| ⑤ | Pilot Cover | Plastic |
| ⑥ | Piston | Polyacetal |
| ⑦ | Spool | A ϵ · NBR |
| ⑧ | Coil Ass'y | |
| ⑨ | Base | ADC-12 |

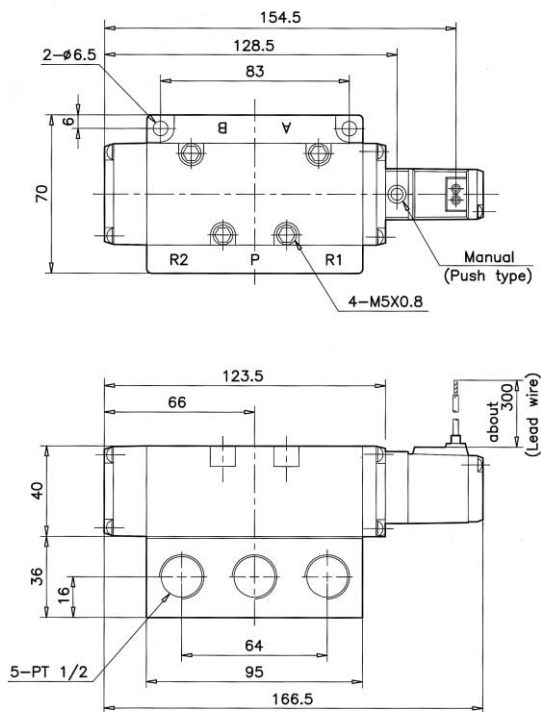
2 Position Double Solenoid



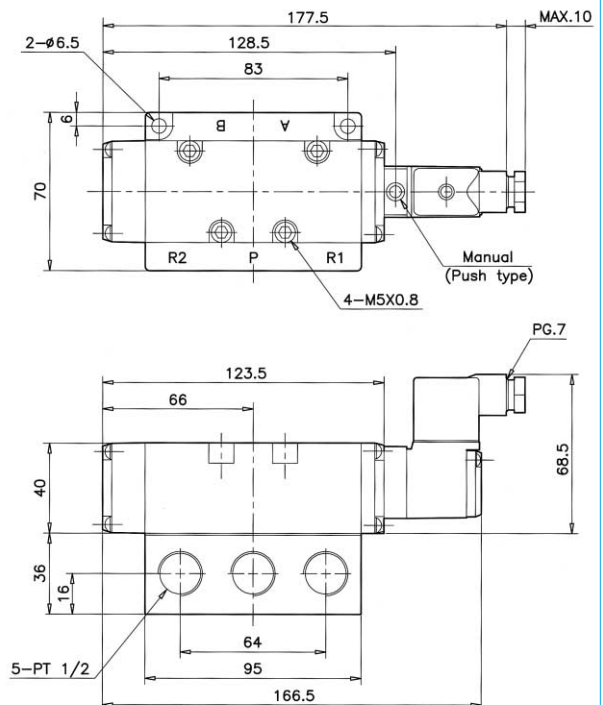
Dimensions / 2 Position Single

Lead wire type(L)

SV - 410 - ○L

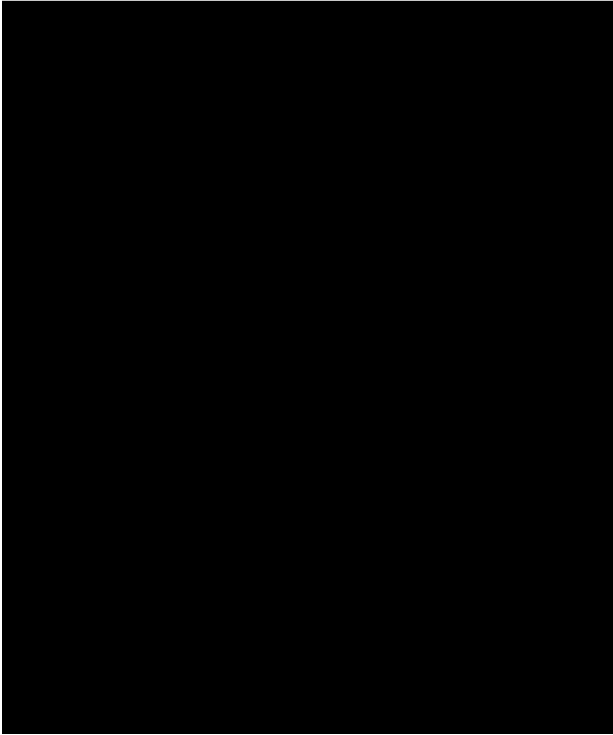


DIN terminal type(D, DL, DS) SV - 410 - ○
D
DL
DS

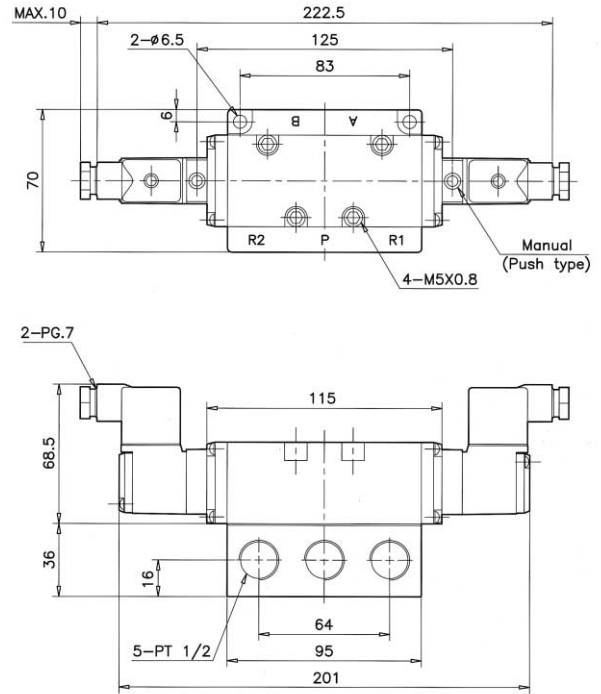


Lead wire type(L)

SV - 420 - ○L



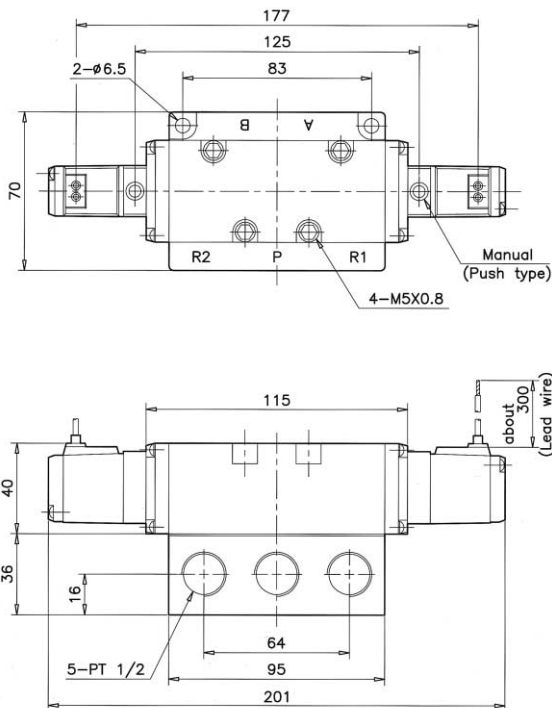
DIN terminal type(D, DL, DS) SV - 420 - ○ $\begin{matrix} D \\ DL \\ DS \end{matrix}$



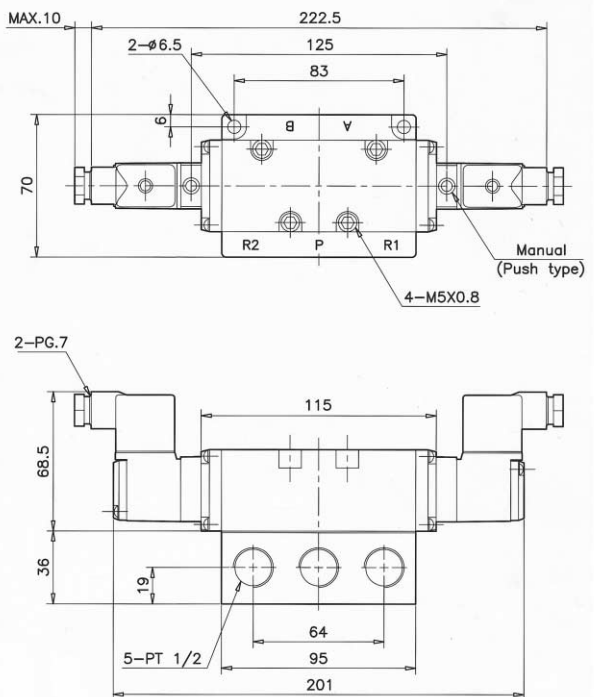
Dimensions / 3 Position Closed Center · Exhaust Center · Pressure Center

Lead wire type(L)

SV - $\frac{3}{5}$ - ○L



DIN terminal type(D, DL, DS) SV - $\frac{3}{5}$ - ○ $\begin{matrix} D \\ DL \\ DS \end{matrix}$



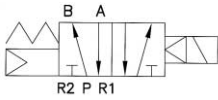
SV-600 Series

5 Port Pilot Type / Elastic Seal

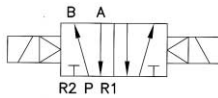
Sub-base Mounting Type

5 Port / 2 Position

SV-610 (Port size : PT3/4)

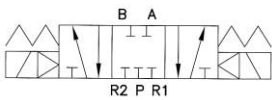


SV-620 (Port size : PT3/4)

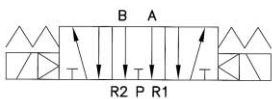


5 Port / 3 Position

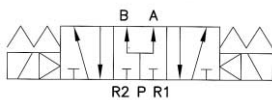
SV-630 (Closed Center)



SV-640 (Exhaust Center)



SV-650 (Pressure Center)



- Compact size and large flow capacity-Cv 5.0
Effective area-90mm²
- Low power consumption
-1.8W(DC)
- Various electrical entries



Standard Specifications

| Model no. | SV-610 | SV-620 | SV-630 | SV-640 | SV-650 |
|--------------------------------------|---------------------------------------|----------|--------------------------|--------|--------|
| Media | Air or inert gases | | | | |
| Pressure range(kgf/cm ²) | 1.5~9.9 | 1~9.9 | 1.5~9.9 | | |
| Effective area mm ² (Cv) | 90(5.0) | | 70(3.89) | | |
| Ambient and media temp. | Max. 50℃ | | | | |
| Response time(5kgf/cm ²) | Below 40ms | | Below 60ms | | |
| Max. cycles/second | 5c/s | | 3c/s | | |
| Lubrication | Not required | | | | |
| Manual override operation | Non-locking push/Slotted locking type | | | | |
| Shock/Vibration resistance | 30G/5G(8.3~2000HZ) | | | | |
| Protective structure | Dust-proof | | | | |
| Rated voltage of coil | AC 50/60HZ 100V, 220V DC 12V, 24V | | | | |
| Allowable voltage tolerance | -15%~+10% of rated voltage | | | | |
| Coil insulation | Class B or equivalent (130℃) | | | | |
| Apparent power | AC | Starting | 5.6VA(50HZ), 5.0VA(60HZ) | | |
| | | Holding | 4.5VA(50HZ), 3.8VA(60HZ) | | |
| Power consumption | DC | 1.8W | | | |
| Weight(kgf) | 1.17 | 1.2 | 1.22 | 1.22 | 1.22 |
| Surge suppressor | AC, DC : Varistor | | | | |
| Indicator lamp | LED | | | | |

How to Order

SV - 6 1 0 - 1 L

Port size
(PT 3/4)

Symbol

| | |
|---|-----------------|
| 1 | Single solenoid |
| 2 | Double solenoid |
| 3 | Closed center |
| 4 | Exhaust center |
| 5 | Pressure center |

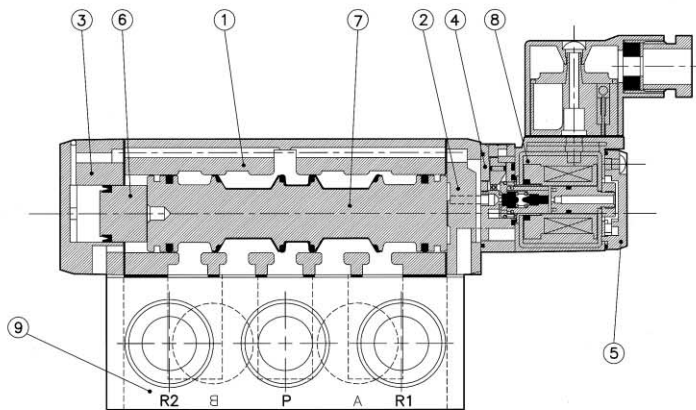
Voltage

| | |
|---|---------|
| 1 | AC 100V |
| 2 | AC 220V |
| 3 | DC 12V |
| 4 | DC 24V |

Electrical entry

| | |
|----|---|
| L | Lead wire |
| D | DIN terminal |
| DL | DIN terminal with lamp |
| DS | DIN terminal with lamp & surge suppressor |

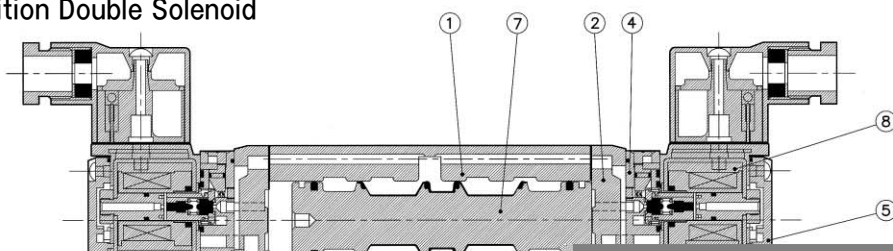
2 Position Single Solenoid



Main Parts

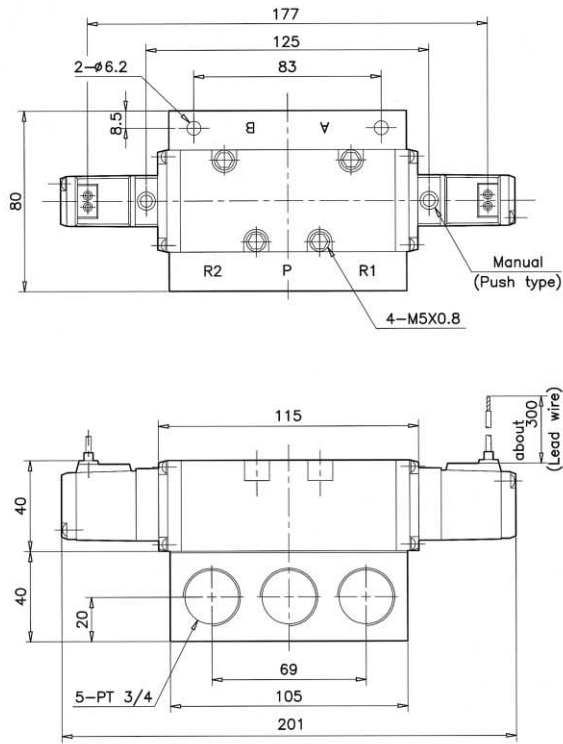
| No. | Description | Material |
|-----|-------------|------------|
| ① | Body | ADC-12 |
| ② | Adapter | ADC-12 |
| ③ | End Cover | ADC-12 |
| ④ | Pilot Body | Polyacetal |
| ⑤ | Pilot Cover | Plastic |
| ⑥ | Piston | Polyacetal |
| ⑦ | Spool | Al · NBR |
| ⑧ | Coil Ass'y | |
| ⑨ | Base | Al |

2 Position Double Solenoid

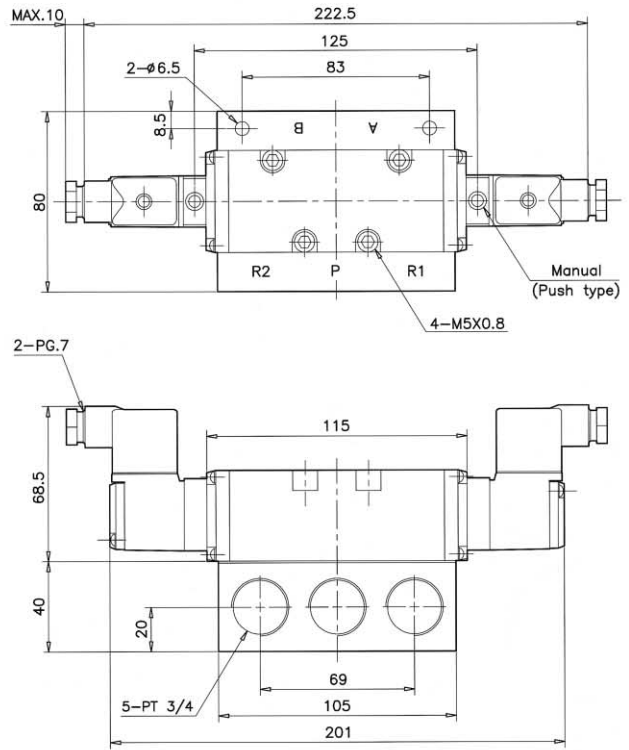


Lead wire type(L)

SV - 620 - ○ L



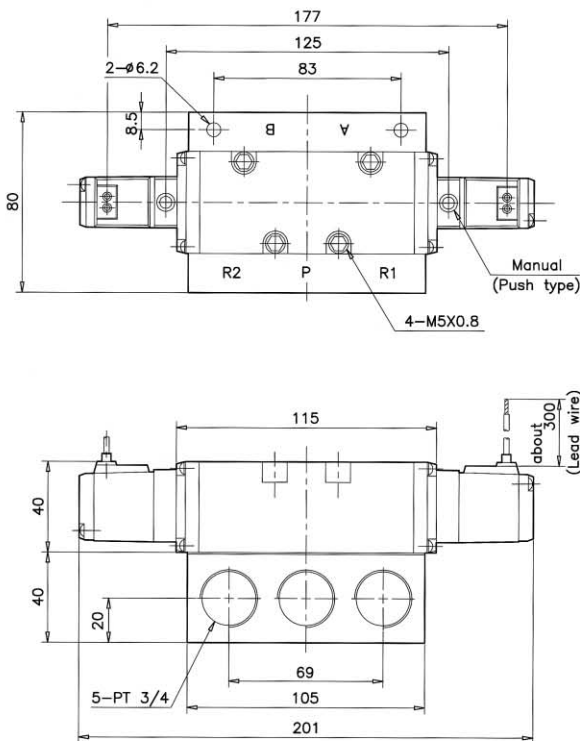
DIN terminal type(D, DL, DS) SV - 620 - ○ $\frac{D}{DL/DS}$



Dimensions / 3 Position Closed Center · Exhaust Center · Pressure Center

Lead wire type(L)

SV - $\frac{3}{5}$ 640 - ○ L



DIN terminal (D, DL, DS) SV - $\frac{3}{5}$ 640 - ○ $\frac{D}{DL/DS}$

