

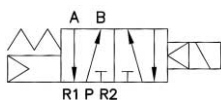
SV-100 Series

5 Port Pilot Type / Elastic Seal

In-line Mounting Type

5 Port / 2 Position

SV-110 (Port size : PT1/8)

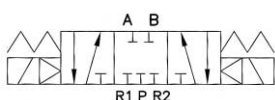


SV-120 (Port size : PT1/8)

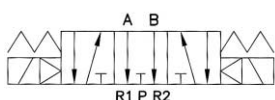


5 Port / 3 Position

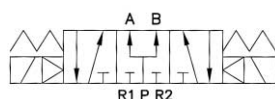
SV-130 (Closed Center)



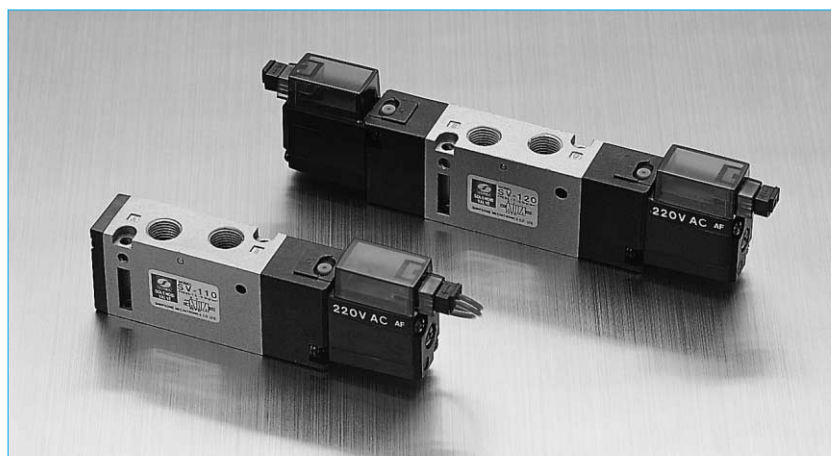
SV-140 (Exhaust Center)



SV-150 (Pressure Center)



- Width-18mm
- Large flow capacity
-Cv 0.53
- Effective area-9.5mm²
- Low power consumption
-1.7W(DC)
- Various electrical entries



Standard Specifications

Model no.	SV-110	SV-120	SV-130	SV-140	SV-150
Media	Air or inert gases				
Pressure range(kgf/cm ²)			1.5~7		
Effective area mm ² (Cv)	9.5(0.53)		8.5(0.47)		
Ambient and media temp.	Max. 50 °C				
Response time(5kgf/cm ²)	Below 20ms		Below 35ms		
Max. cycles/second	10c/s		3c/s		
Lubrication	Not required				
Manual override operation	Non-locking push/Slotted locking type				
Shock/Vibration resistance	30G/5G(8.3~2000HZ)				
Protective structure	Dust-proof				
Rated voltage of coil	AC 50/60HZ 100V, 220V		DC 12V, 24V		
Allowable voltage tolerance	-15%~+10% of rated voltage				
Coil insulation	Class B or equivalent(130 °C)				
Apparent power	AC	Starting	4.5VA(50HZ), 4.2VA(60HZ)		
		Holding	3.0VA(50HZ), 2.6VA(60HZ)		
Power consumption	DC	1.7W			
Weight(gf)	100	150	160	160	160
Surge suppressor	AC : Varistor, DC : Diode				
Indicator lamp	LED				

How to Order

SV - 1 1 0 - 2 L

Port size
(PT 1/8)

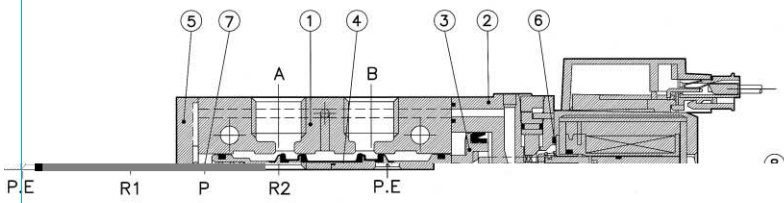
Symbol	
1	Single solenoid
2	Double solenoid
3	Closed center
4	Exhaust center

Voltage	
1	AC 100V
2	AC 220V
3	DC 12V
4	DC 24V

Electrical entry	
L	Lead wire
PL	Plug connector with lamp
PS	Plug connector with lamp & surge suppressor

※ Only PS types are available for plug connector for DC.

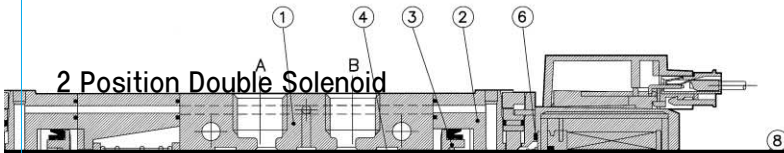
2 Position Single Solenoid



Main Parts

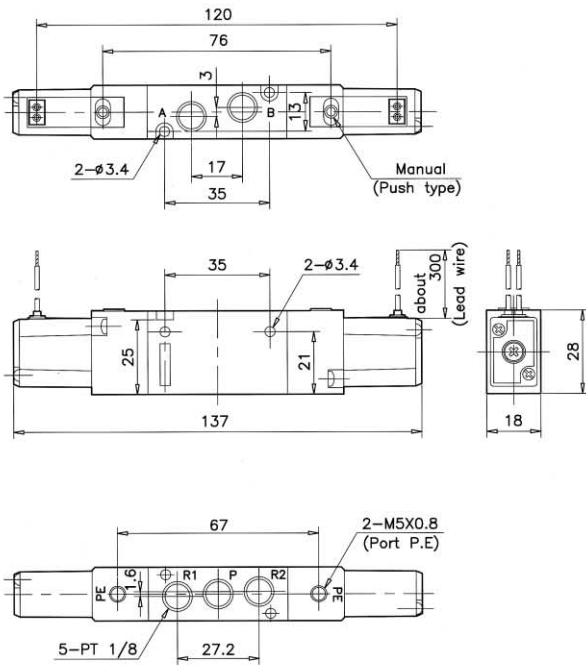
No.	Description	Material
①	Body	ADC-12
②	Piston Plate	Polyacetal
③	Piston	Polyacetal
④	Spool	Al ³ -NBR
⑤	End Cover	Plastic
⑥	O-Ring	NBR
⑦	Spring	SUS
⑧	Coil Ass'y	

2 Position Double Solenoid

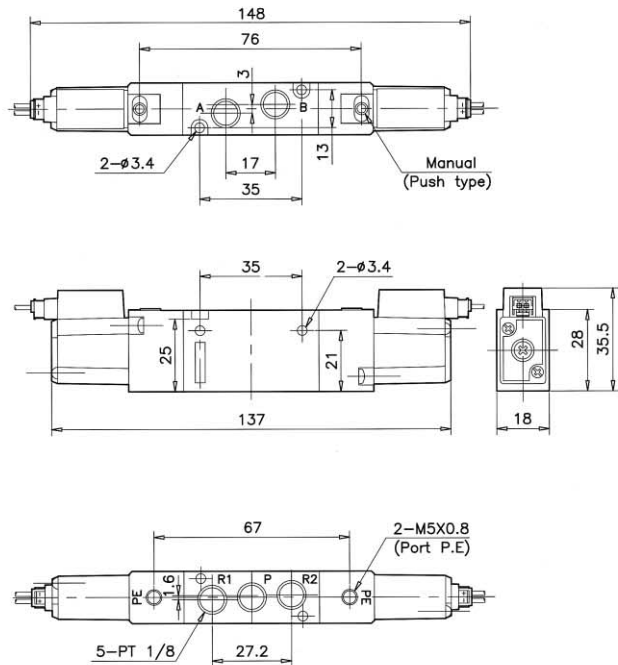


Lead wire type(L)

SV - 120 - ○ L



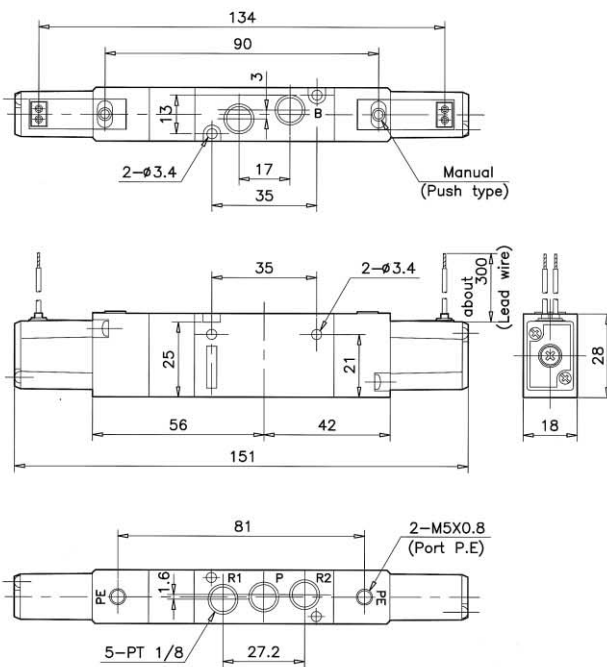
Plug connector type(PL, PS) SV - 120 - ○ $\frac{PL}{PS}$



Dimensions / 3 Position Closed Center · Exhaust Center · Pressure center

Lead wire type(L)

SV - $\frac{3}{5}$ 140 - ○ L



Plug connector type(PL, PS) SV - $\frac{3}{5}$ 140 - ○ $\frac{PL}{PS}$

