

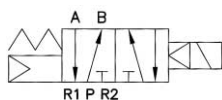
SV-50 Series

5 Port Pilot Type / Elastic Seal

In-line Mounting Type

5 Port / 2 Position

SV-51 (Port size : M5)

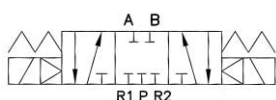


SV-52 (Port size : M5)

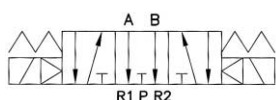


5 Port / 3 Position

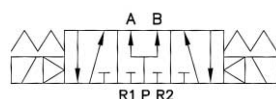
SV-53 (Closed Center)



SV-54 (Exhaust Center)



SV-55 (Pressure Center)



- Width-15.5mm
- Large flow capacity
-Cv 0.2
Effective area-3.6mm²
- Low power consumption
-1.7W(DC)
- Various electrical entries



Standard Specifications

Model no.	SV-51	SV-52	SV-53	SV-54	SV-55
Media	Air or inert gases				
Pressure range(kgf/cm ²)	1.5~7	1~7	1.5~7		
Effective area mm ² (Cv)	3.6(0.2)		3.2(0.18)		
Ambient and media temp.	Max. 50℃				
Response time(5kgf/cm ²)	Below 20ms		Below 35ms		
Max. cycles/second	10c/s		3c/s		
Lubrication	Not required				
Manual override operation	Non-locking push/Slotted locking type				
Shock/Vibration resistance	30G/5G(8.3~2000HZ)				
Protective structure	Dust-proof				
Rated voltage of coil	AC 50/60HZ 100V, 220V		DC 12V, 24V		
Allowable voltage tolerance	-15%~+10% of rated voltage				
Coil insulation	Class B or equivalent (130℃)				
Apparent power	AC	Starting	4.5VA(50HZ), 4.2VA(60HZ)		
		Holding	3.0VA(50HZ), 2.6VA(60HZ)		
Power consumption	DC	1.7W			
Weight(gf)	70	110	120	120	120
Surge suppressor	AC : Varistor, DC : Diode				
Indicator lamp	LED				

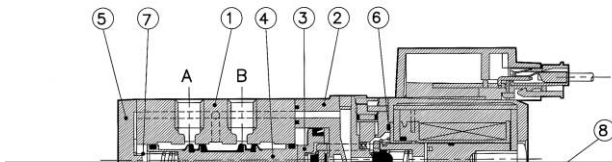
How to Order

SV - 5 1 - 2 L

Port size (M5)	Symbol	Voltage	Electrical entry
5	Single solenoid	1 AC 100V	L Lead wire
1	Double solenoid	2 AC 220V	PL Plug connector with lamp
2	Closed center	3 DC 12V	PS Plug connector with lamp & surge suppressor
3	Exhaust center	4 DC 24V	
4	Pressure center		

※ Only PS types are available for plug connector for DC.

2 Position Single Solenoid



Main Parts

No.	Description	Material
①	Body	ADC-12
②	Piston Plate	Polyacetal
③	Piston	Polyacetal
④	Spool	A ϵ · NBR
		Plastic
		NBR
		SUS

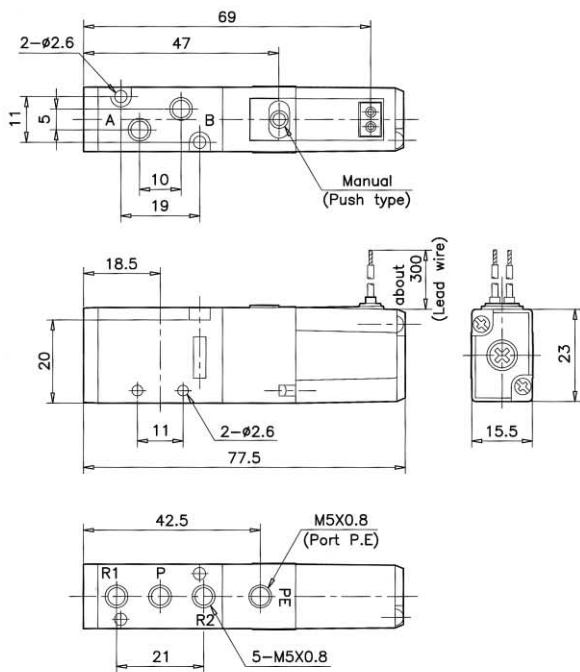
2

3

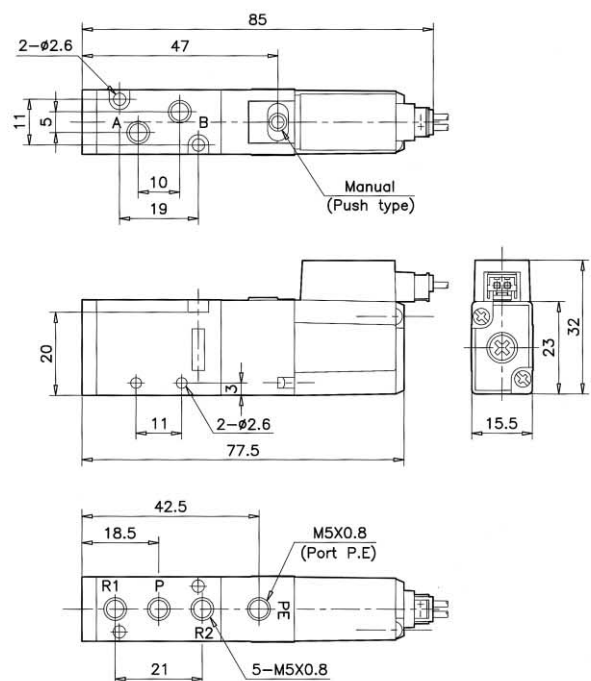
Dimensions / 2 Position Single

Lead wire type(L)

SV - 51 - ○ L

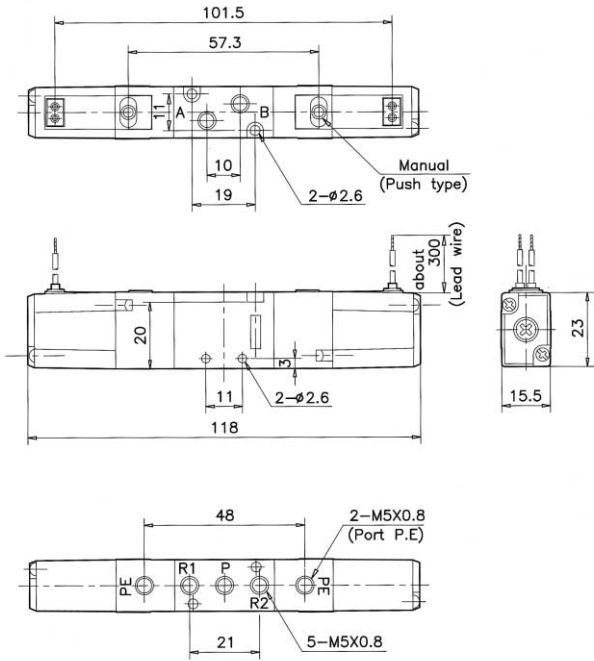


Plug connector type(PL, PS) SV - 51 - ○ ^{PL}/_{PS}

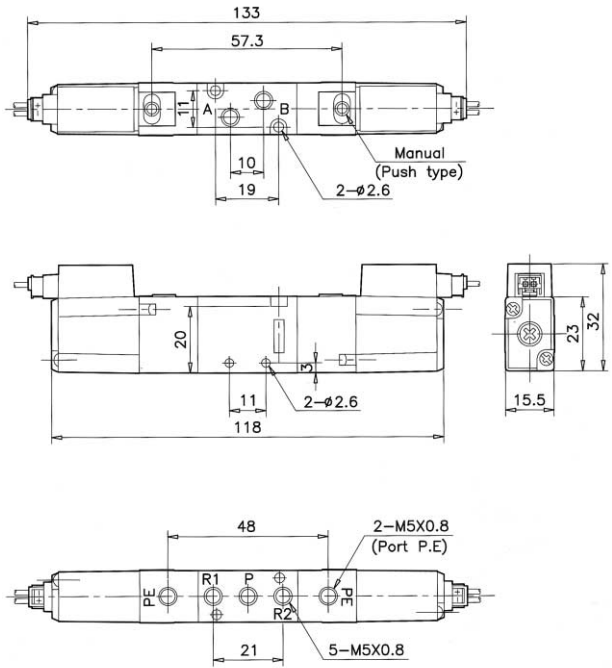


Lead wire type(L)

SV - 52 - ○ L



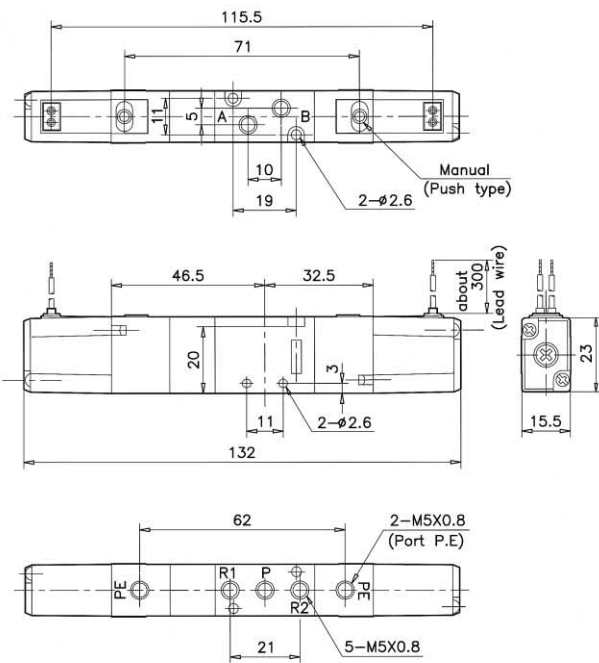
Plug connector type(PL, PS) SV - 52 - ○ $\frac{PL}{PS}$



Dimensions / 3 Position Closed Center · Exhaust Center · Pressure Center

Lead wire type(L)

SV - $\frac{3}{54}$ - ○ L



Plug connector type(PL, PS) SV - $\frac{3}{54}$ - ○ $\frac{PL}{PS}$

