

5 Port Master Valve (Air Operated Type)

5 Port Pilot Type / Elastic Seal

(SV-50M, 100M)



Standard Specifications

Model no.	SV-51M	SV-52M	SV-110M	SV-120M
Media	Air or inert gases			
Pressure range(kgf/cm ²)	15~7	1~7	1.5~7	1~7
Effective area mm ² (Cv)	3.6(0.2)		9.5(0.53)	
Ambient and media temp.	Max. 50℃			
Response time(5kgf/cm ²)	Below 20ms			
Max. cycles/second	5c/s			
Lubrication	Not required			
Protective structure	Dust-proof			

How to Order

SV - 1 2 0 M

Port size

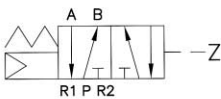
5	M5
1	PT 1/8

Symbol

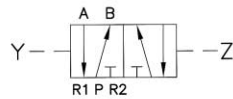
1	Single
2	Double

Master valve
(Air operated)

SV-51M, 110M

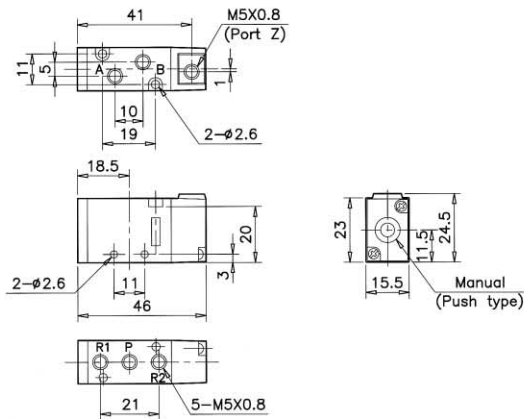


SV-52M, 120M

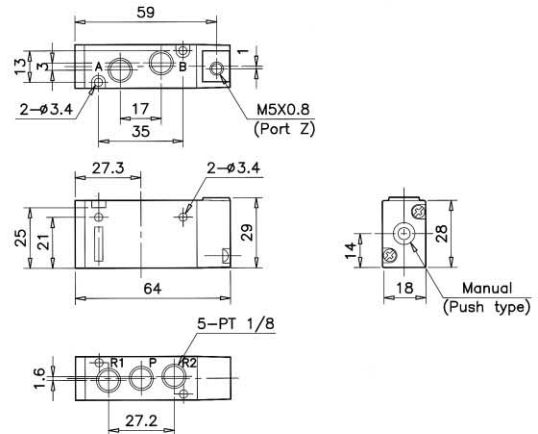


Port size SV-50M - Port P,A,B,R1,R2 : M5
SV-100M - Port P,A,B,R1,R2 : PT1/8

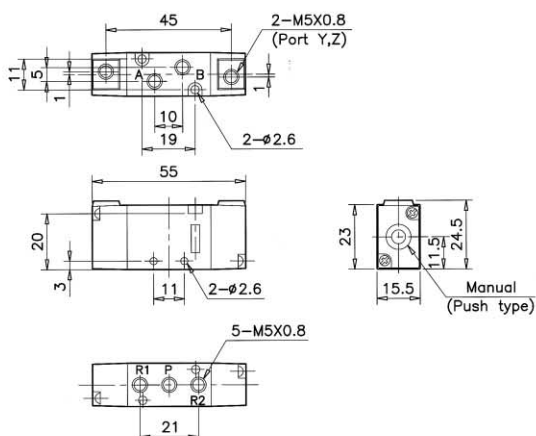
51M



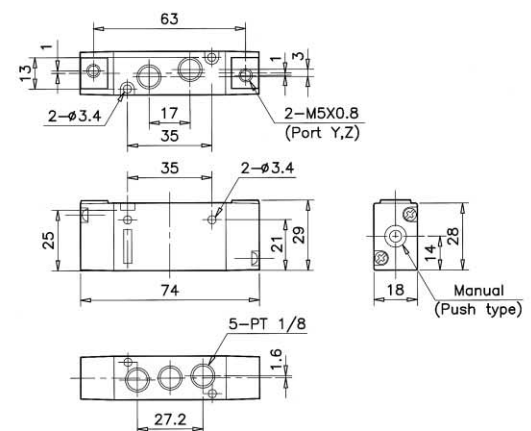
110M



52M



120M



5 Port Master Valve (Air Operated Type)

5 Port Pilot Type / Elastic Seal

(SV-200M, 300M)



Standard Specifications

Model no.				
Media	Air or inert gases			
Pressure range(kgf/cm ²)	15~99	1~9.9	1.5~9.9	1~9.9
Effective area mm ² (Cv)	18(1.0)		45(2.5)	
Ambient and media temp.	Max. 50℃			
Response time(5kgf/cm ²)	Below 30ms			
Max. cycles/second	5c/s			
Lubrication	Not required			
Protective structure	Dust-proof			

How to Order

SV - 2 2 0 M

● Port size

2	PT1/4
3	PT3/8

● Symbol

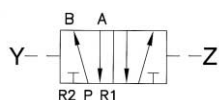
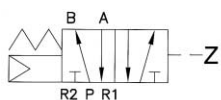
1	Single
2	Double

● Air Operated

※ 3 position double master types are available to your order.

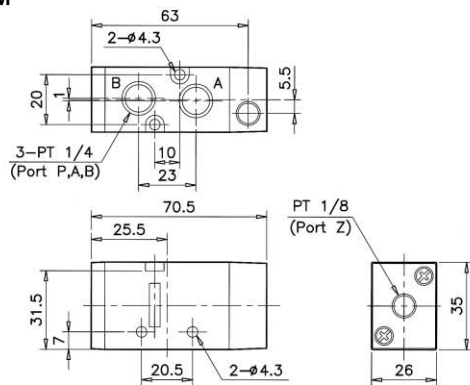
SV-210M, 310M

SV-220M, 320M

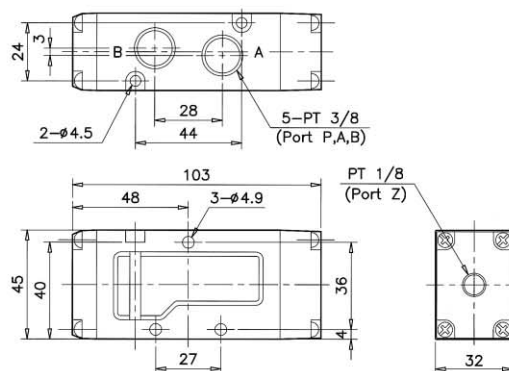


■ Port size SV-200M - Port P,A,B : PT1/4 R1, R2 : PT1/8
SV-300M - Port P,A,B,R1,R2 : PT3/8

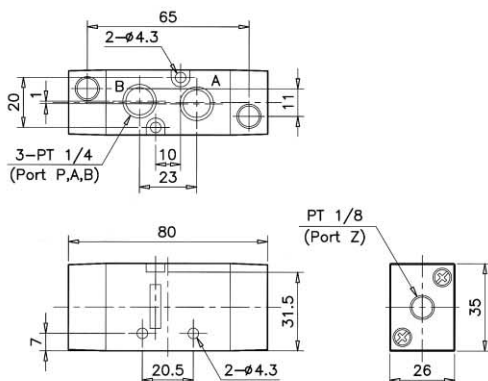
210M



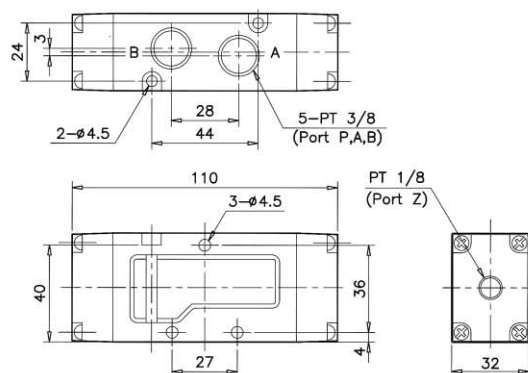
310M

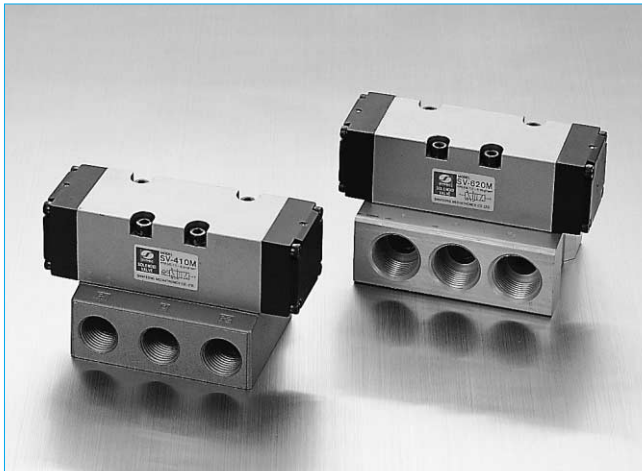


220M



320M





■ Standard Specification

Model no.	SV-410M	SV-420M	SV-610M	SV-620M
Media	Air or inert gases			
Pressure range(kgf/cm ²)	15~99	1~9.9	1.5~9.9	1~9.9
Effective area mm ² (Cv)	80(4.44)		90(5.0)	
Ambient and media temp.	Max. 50°C			
Response time(5kgf/cm ²)	Below 30ms			
Max. cycles/second	5c/s			
Lubrication	Not required			
Protective structure	Dust-proof			

■ How to order

SV - 4 1 0 M

● Port size

4	PT1/2
6	PT3/4

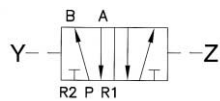
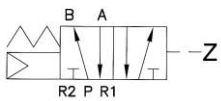
● Air Operated

1	Single
2	Double

※ 3 position double master types are available to your order.

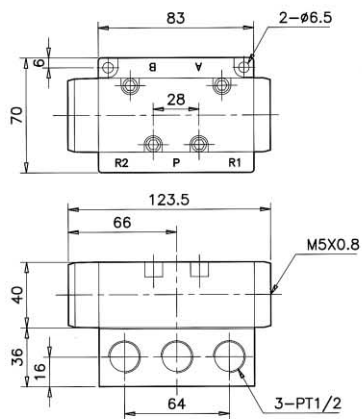
SV-410M, 610M

SV-420M, 620M

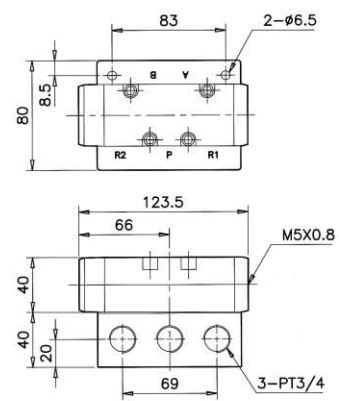


■ Port size SV-400M - Port P,A,B,R1,R2 : PT1/2
SV-600M - Port P,A,B,R1,R2 : PT3/4

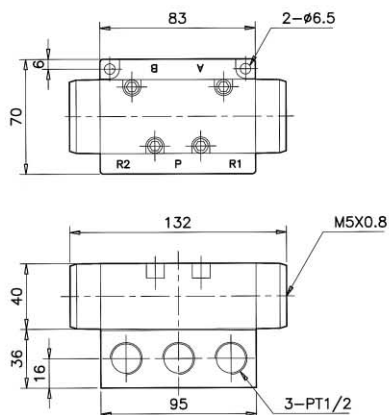
410M



610M



420M



620M

