

# Auto Drain Valve (AD)



## SAD 402 Series

- SAD series enable the condensed water in the compressed air line to be drained automatically.
- SAD series are possible to operate manually.



## How to Order

**SAD** **402** - **03** - **Me**

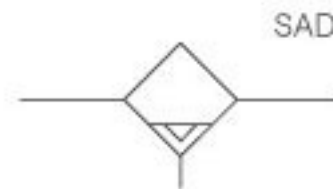
1 Auto Drain

2 Body Size  
402 - 1/2

3 Port Size  
02 - Rc(PT) 1/4"  
03 - Rc(PT) 3/8"  
04 - Rc(PT) 1/2"

4 Option  
Nil - PC Bowl  
Me - Metal Bowl

## Symbol



## Specification

Fluid	Compressed air
Max. supply pressure	1.5MPa [15.3 kgf/cm <sup>2</sup> ]
Max. operating pressure	1.0MPa [10.2 kgf/cm <sup>2</sup> ]
Regulating range	0.15~1.0MPa [1.5~10.2 kgf/cm <sup>2</sup> ]
Ambient and media temperature	5 ~ 60°C
Port size	1/4 · 3/8 · 1/2
Port size for drain	Ø6
Weight(g)	364

## Precautions

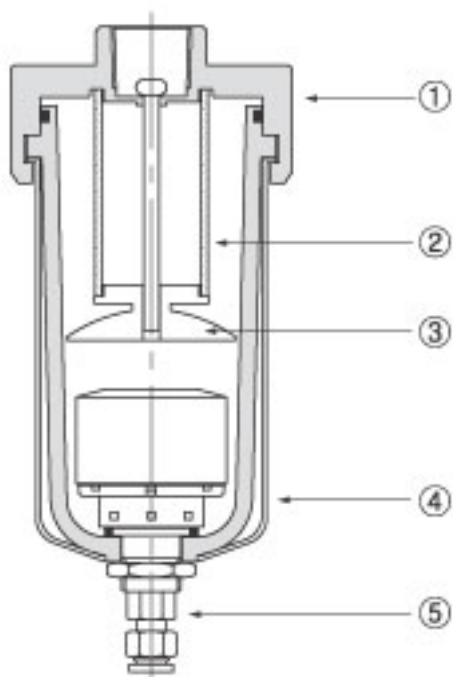
1. Drain piping should be both 4mm or greater in diameter and less than 1m in length. Also should avoid upwards setting of drain piping and should be allowed the drainage to be on the wall surface of hose.
2. The drainage hose installed should be straight.
3. When auto drain is out of order, it is possible to drain manually by operating one-touch-fitting vertically.

# SAD402 Series



## Structure / Parts

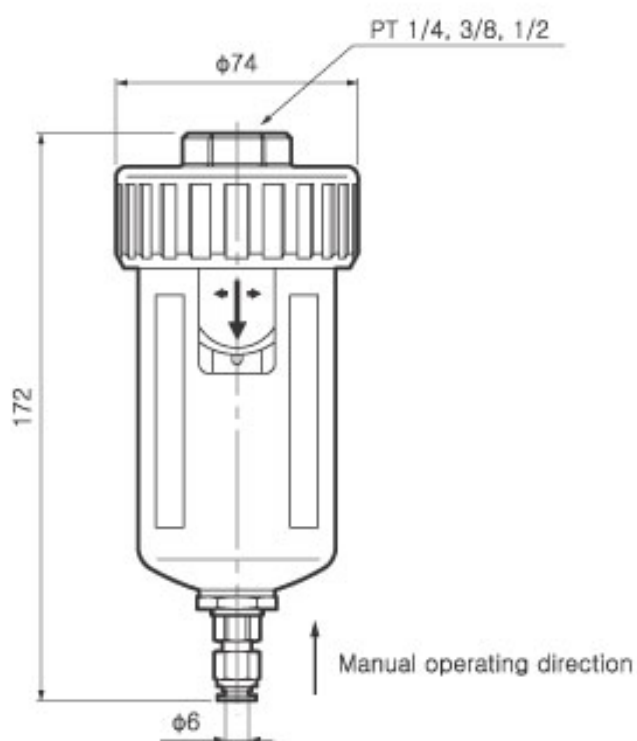
### SAD 402



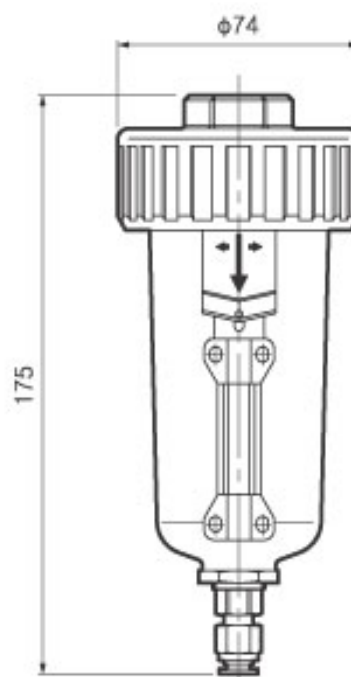
No.	PARTS	MATERIAL
1	Body	ALDC
2	Element	Porous plastics
3	Buffer	ABS
4	Bowl	PC
5	Auto-Drain kit	

## Dimensions(mm)

### SAD 402



### SAD 402-Me



With float type auto drain