

Filter Regulator (AW)



SAW 2000~6000M Series

SAW series are compact type assemblies of a filter and a regulator.



How to Order

Symbol

SAW 30 00M - 03 BDG - Me

1 Filter regulator

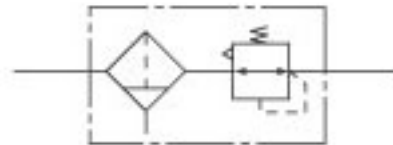
2 Body Size
20 - 1/4
30 - 3/8
40 - 1/2
60 - 1

3 Port Size
02 - Rc(PT) 1/4"
03 - Rc(PT) 3/8"
04 - Rc(PT) 1/2"
06 - Rc(PT) 3/4"
10 - Rc(PT) 1"

4 Accessory (Optional)
Nil - Manual Drain
B - Bracket
D - Auto Drain
G - Gauge

5 Option
Nil - PC Bowl
Me - Metal Bowl

SAW



Specification

Max. supply pressure	1.5MPa [15.3 kgf/cm ²]
Max. operating pressure	0.97MPa [9.9 kgf/cm ²]
Regulating range	50~850kPa [0.5~8.7 kgf/cm ²]
Ambient and media temperature	5 ~ 60°C
Filtration	Standard: 10µm, Option: 2, 5, 20, 40
Recommended oil	Glass fiber
Bowl material	Poly-carbonate · Metal
Construction / Regulator	Relief type

Precautions

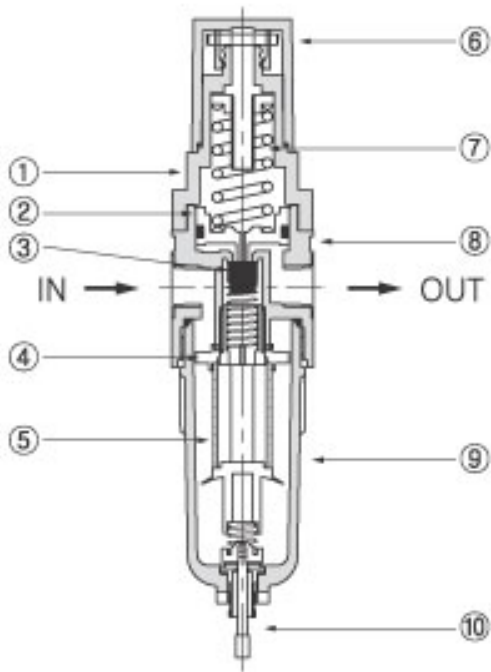
1. Poly-carbonate bowls may be damaged and highly possible to fail if exposed to synthetic oils, thinner solvents, trichloroethylene, kerosene, chloroform, cyclohexane or other aromatic hydrocarbons and such environment exposed chemicals such as above.
2. When auto drain is used :
Drain piping should be both 4mm or greater in diameter and less than 1m in length.
Also should avoid setting drain piping upwards.
3. When auto drain is out of order, it is possible to drain manually by operating one-touch-fitting vertically.
4. With a drain cock attached, drain can be done when the head of liquid is shown at the glass indication tube.

SAW Series



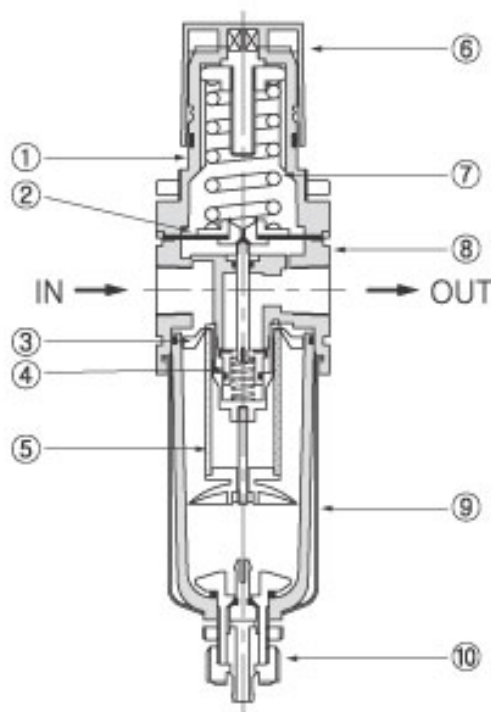
Structure / Parts

SAW 2000M



No.	PARTS	MATERIAL
1	Cover	N66G
2	Piston	N66G
3	Check Valve	NBR
4	Buffer	ABS
5	Element	Porous plastics
6	Handle	N66G
7	Spring	SWP
8	Body	ZnDC
9	Bowl	PC
10	Drain Part	

SAW 3000M



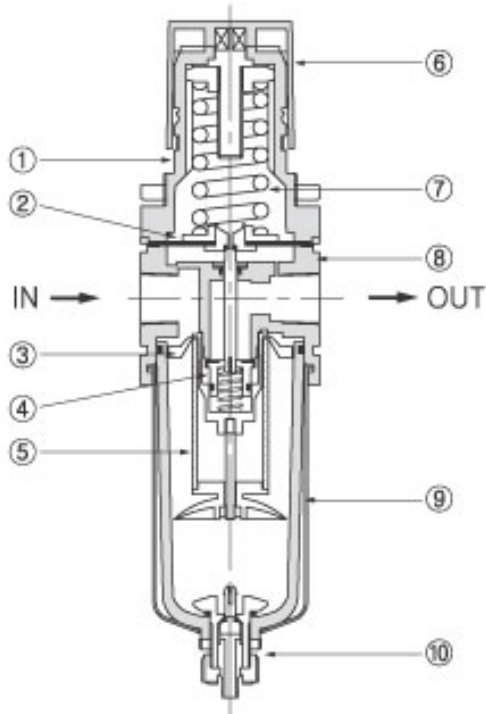
No.	PARTS	MATERIAL
1	Cover	N66G
2	Piston	N66G
3	Check Valve	NBR
4	Buffer	ABS
5	Element	Porous plastics
6	Handle	N66G
7	Spring	SWP
8	Body	ZnDC
9	Bowl	PC
10	Drain Part	

SAW Series



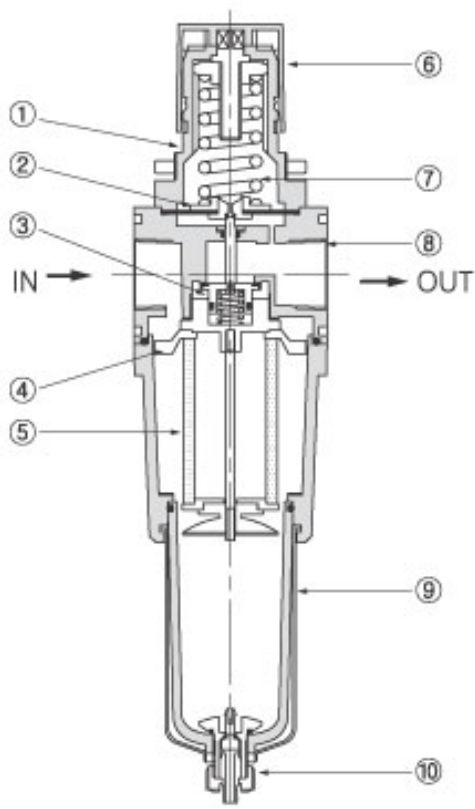
Structure / Parts

SAW 4000M



No.	PARTS	MATERIAL
1	Cover	N66G
2	Piston	N66G
3	Check Valve	NBR
4	Buffer	ABS
5	Element	Porous plastics
6	Handle	N66G
7	Spring	SWP
8	Body	ZnDC
9	Bowl	PC
10	Drain Part	

SAW 6000M



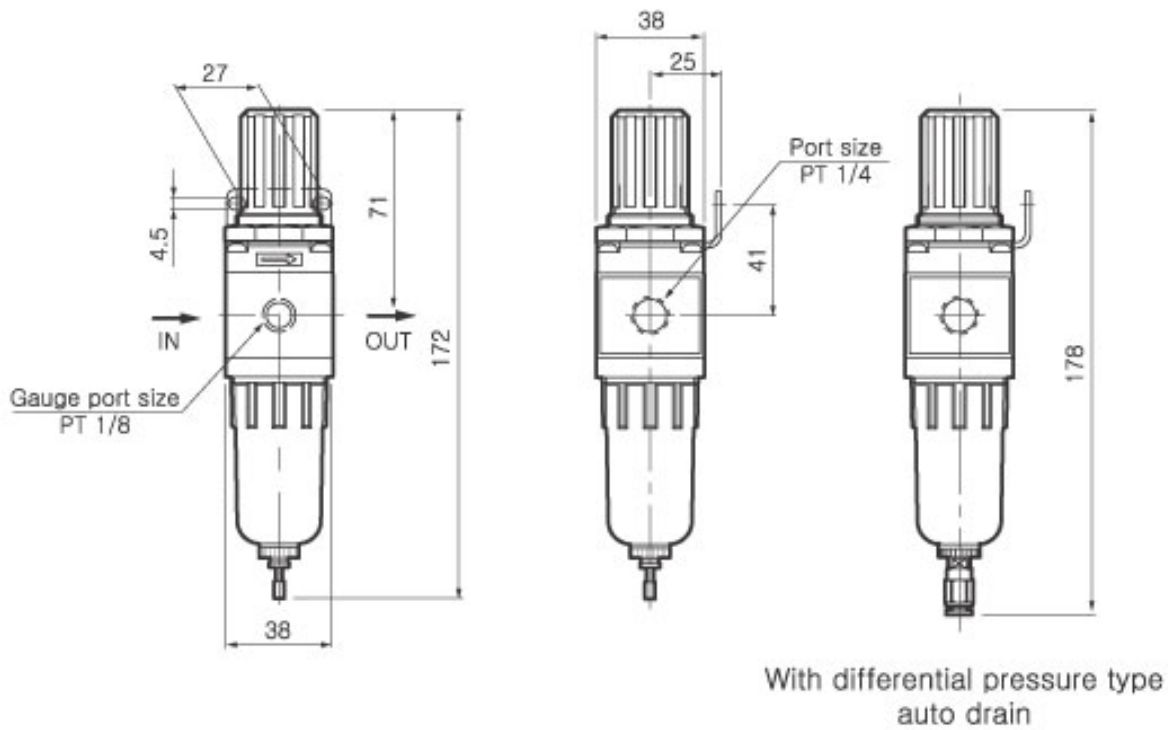
No.	PARTS	MATERIAL
1	Cover	N66G
2	Piston	N66G
3	Check Valve	NBR
4	Buffer	ABS
5	Element	Porous plastics
6	Handle	N66G
7	Spring	SWP
8	Body	ZnDC
9	Bowl	PC
10	Drain Part	

SAW Series

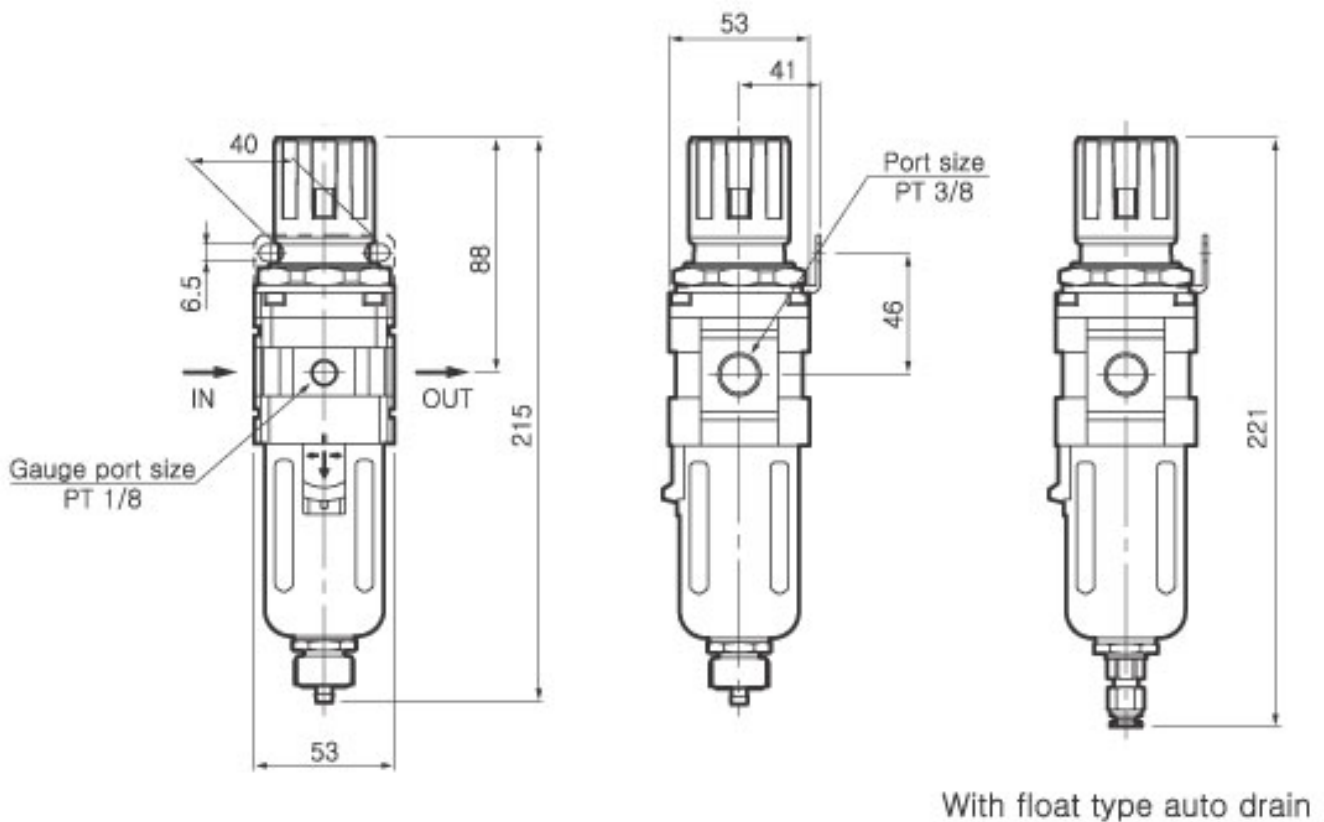


Dimensions(mm)

SAW 2000M



SAW 3000M

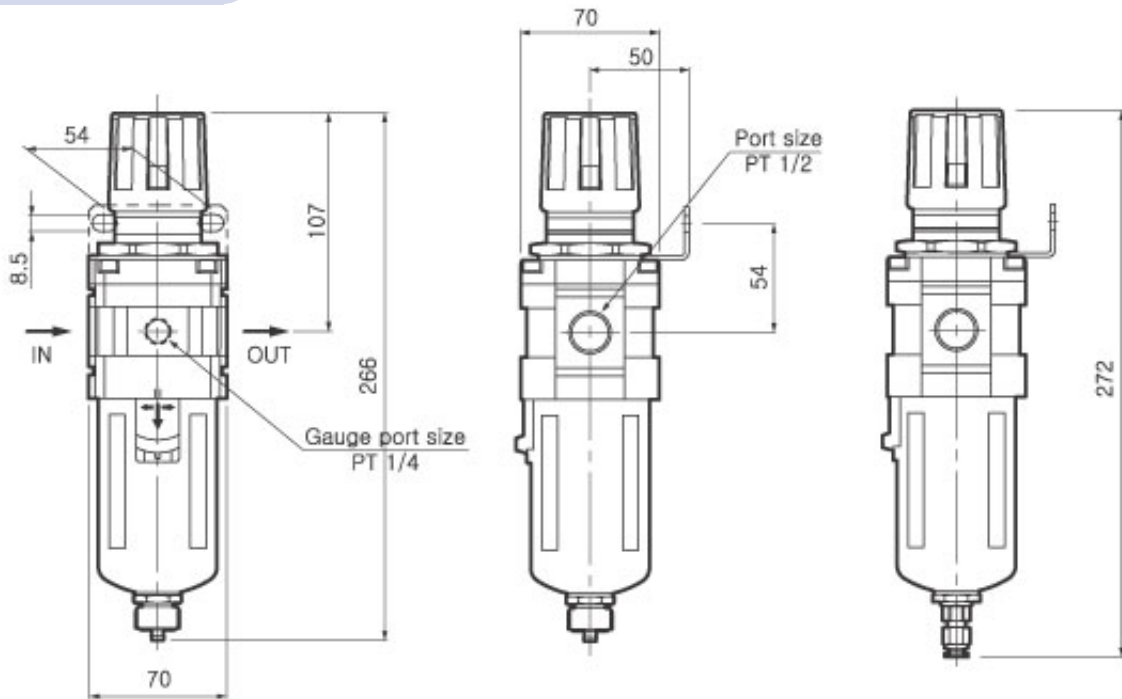


SAW Series



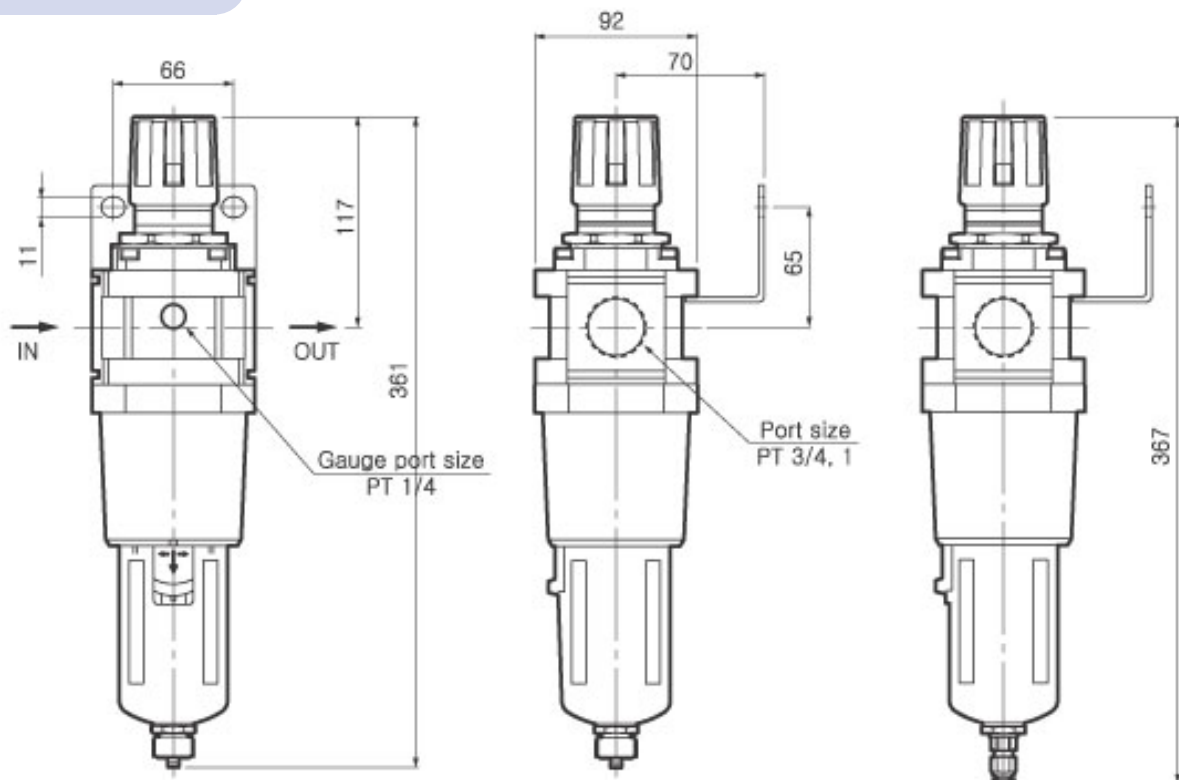
Dimensions(mm)

SAW 4000M



With float type auto drain

SAW 6000M



With float type auto drain